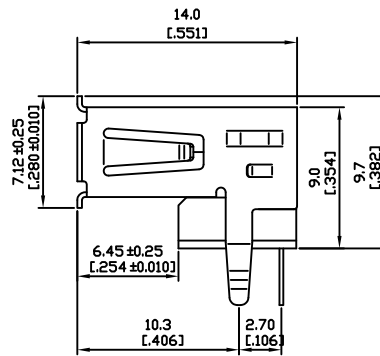
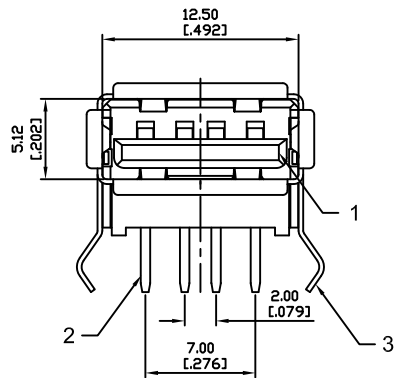
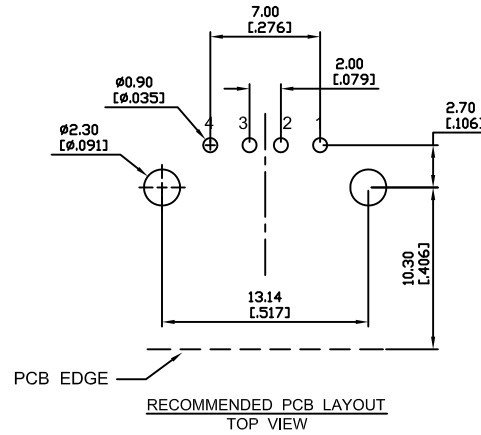
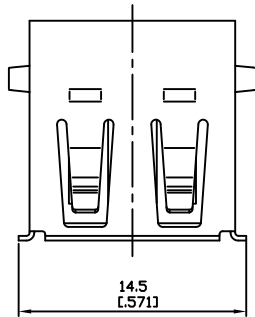


NO.	NAME	MATERIAL
1	HOUSING	PBT / Nylon
2	PIN TERM.	PHOS. BRONZE
3	SHELL	BRASS

REV	ZONE	REVISION	DATE	APPD.



**SUA-110H6 \* - \* \* \***

Series ———  
 Type ———  
 Color ———  
 B : Black  
 W : White

Shell  
 N : Nickel Plated  
 T : Tin Plated

Version  
 1 : 1.1  
 2 : 2.0

Material  
 B : PBT  
 P : Nylon



POWERWAY ELECTRONICS CO.,LTD.  
 博 歲 電 子 股 份 有 限 公 司

COMPUTER NO.			UNIT	SCALE	PART NAME	
D : \DWG \ SUA-110H6			mm	1 : 1	USB TYPE A REVERSE FLAT 90° DIP	
APPD.	CKD.	DWG.	DATE	TOLERANCE		REV.
	Michael	Michael	2009-08-07	0.000mm ± 0.075mm 0.00 mm ± 0.15 mm 0.0 mm ± 0.25 mm		A.0

MODEL SUA-110H6 \* - \* \* \* PAGE 1 OF 1

