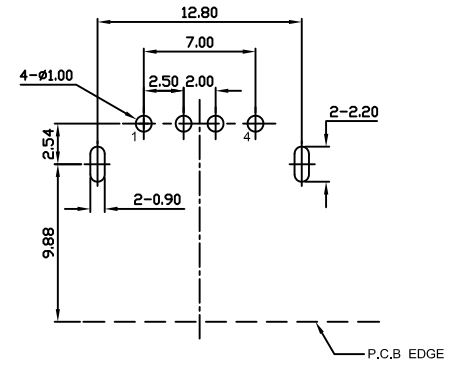
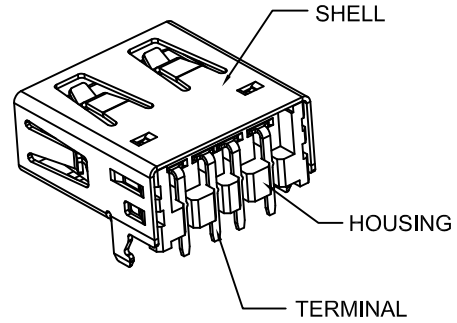
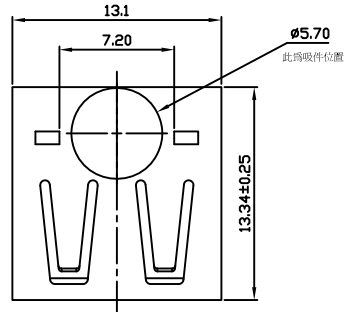


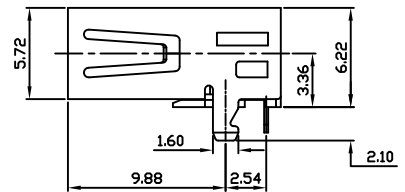
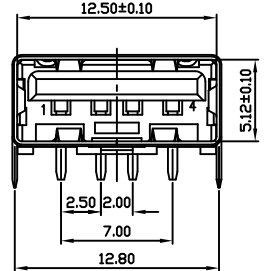
NO.	NAME	MATERIAL	FINISH
1	HOUSING	LCP	
2	CONTACT	PHOS. BRONZE	Gold-Tin Plated
3	SHELL	PHOS. BRONZE	Ni Plated

REV	ZONE	REVISION	DATE	APPD.



RECOMMENDED PCB LAYOUT
TOP VIEW

RECOMMENDED PCB THICKNESS: 1.20±0.05mm



SUA-110F4 * - * * *

- Series
- Type
- Color
B: Black
- Material
L: Lcp
- Shell
H: Nickel Plated
- Version
1: 1.1
2: 2.0



POWERWAY ELECTRONICS CO.,LTD.
博 歲 電 子 股 份 有 限 公 司

COMPUTER NO.			UNIT	SCALE	PART NAME	
D:\DWG\SUA-110F4			mm	1:1	USB. TYPE A FLAT 90° DIP	
APPD.	CKD.	DWG.	DATE	TOLERANCE		REV.
	Chindge	Song Lin	2009-12-03	0.000mm ± 0.075mm 0.00 mm ± 0.15 mm 0.0 mm ± 0.25 mm		A.0