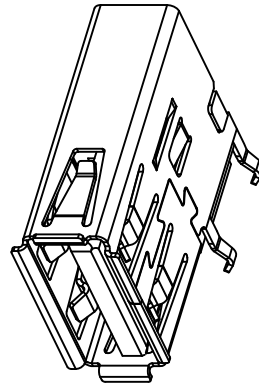
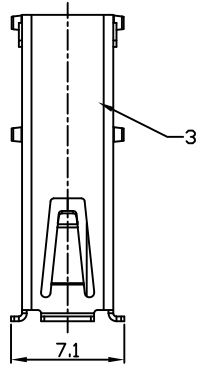


NO.	NAME	MATERIAL	FINISH
1	HOUSING	NYLON / PBT	
2	TERMINAL	COPRER ALLOY	Gold-Tin Plated
3	SHELL	COPRER ALLOY	Ni Plated
4	CAP	NYLON / PBT	

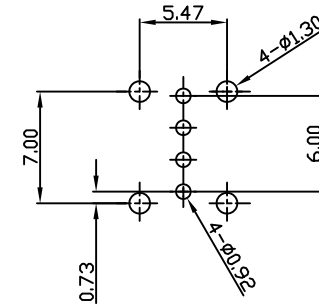
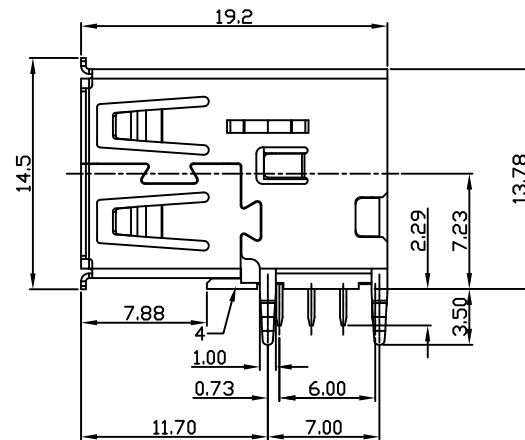
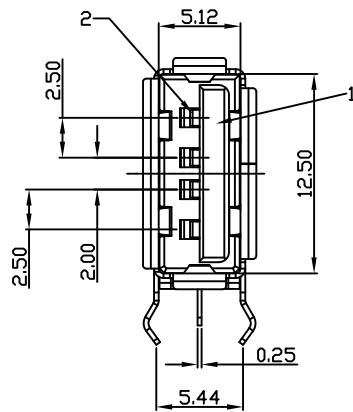
REV	ZONE	REVISION	DATE	APPD.



SUA-110V4*-***

Series
 Type
 Color
 B : Black
 W : White

Shell
 N: Nickel Plated
 Version
 1 : 1.1
 2 : 2.0
 Material
 B : PBT
 P : Nylon



RECOMMENDED PCB LAYOUT
TOP VIEW
 P.C.B THICKNESS=1.57±0.05mm



POWERWAY ELECTRONICS CO.,LTD.
 博 歲 電 子 股 份 有 限 公 司

COMPUTER NO.

UNIT

SCALE

PART NAME

D : \ DWG \ SUA-110V4

mm

1 : 1

USB. TYPE A REVERSE
 UPRIGHT 90° DIP

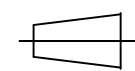
APPD.

CKD.

DWG.

DATE

TOLERANCE



REV.

MODEL

SUA-110V4*-***

PAGE 1 OF 1

Songlin

2010-06-14

0.000mm ± 0.075mm
 0.00 mm ± 0.15 mm
 0.0 mm ± 0.25 mm

A.0