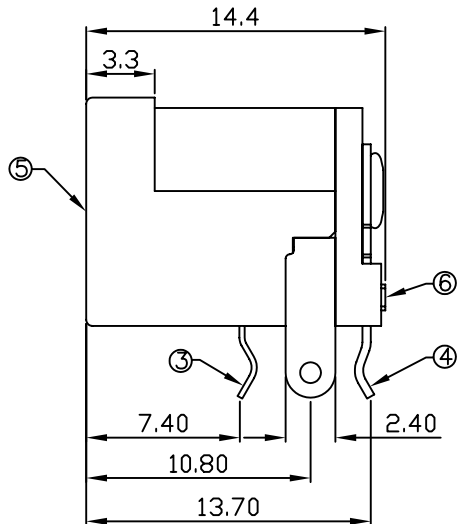
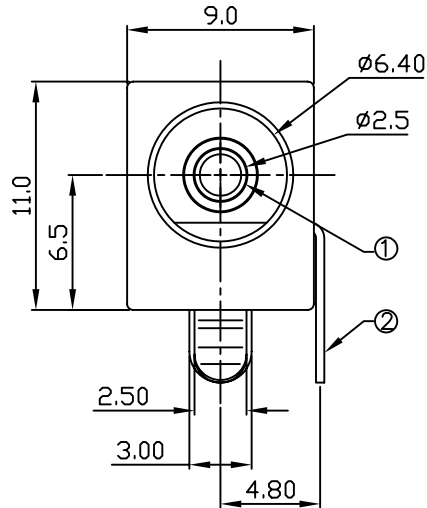
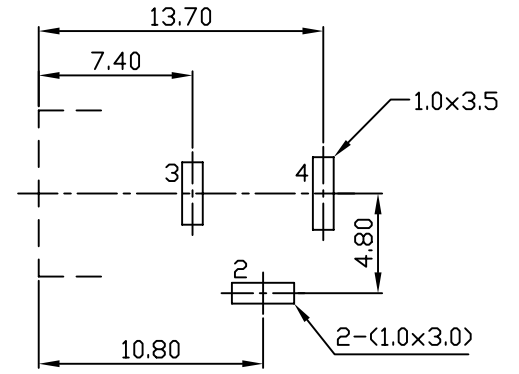


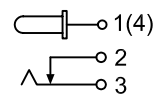
REV	ZONE	REVISION	DATE	APPD.



**SUGGESTED PCB LAYOUT  
TOP VIEW**



**SCHEMATIC**



NO.	DESCRIPTION	MATERIAL	PLATED
1	PIN	BRASS	Ni-Plated
2	CURVE PIECE	BRASS	Tin-Plated
3	SPRING	PHOSHOR BRONZE	Tin-Plated
4	FLAT PIECE	BRASS	Tin-Plated
5	HOUSING	PBT	
6	COVER	PBT	

**PW** POWERWAY ELECTRONICS CO.,LTD.  
博 歲 電 子 股 份 有 限 公 司

COMPUTER NO. D:\DWG\SHD-2014KA			UNIT mm	SCALE 1:1	PART NAME DC POWER JACK
APPD.	CKD.	DWG.	DATE	TOLERANCE	REV.
	Michael	Kristin	2007-12-28	0.000mm ± 0.075mm 0.00 mm ± 0.15 mm 0.0 mm ± 0.25 mm	A.0

MODEL SHD-2014KA-T PAGE 1 OF 1

