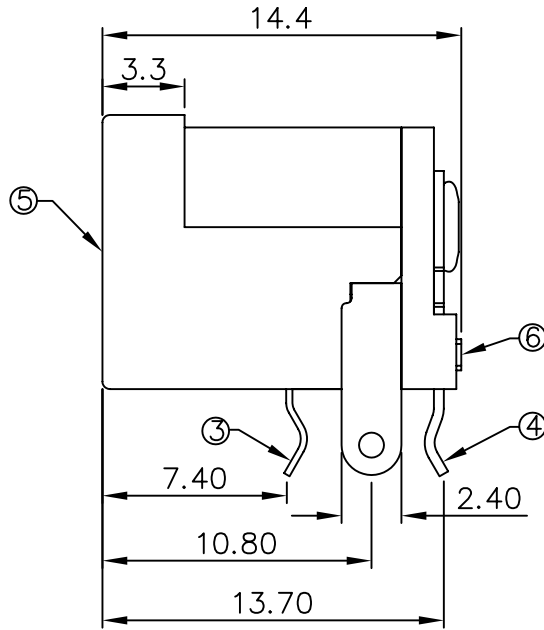
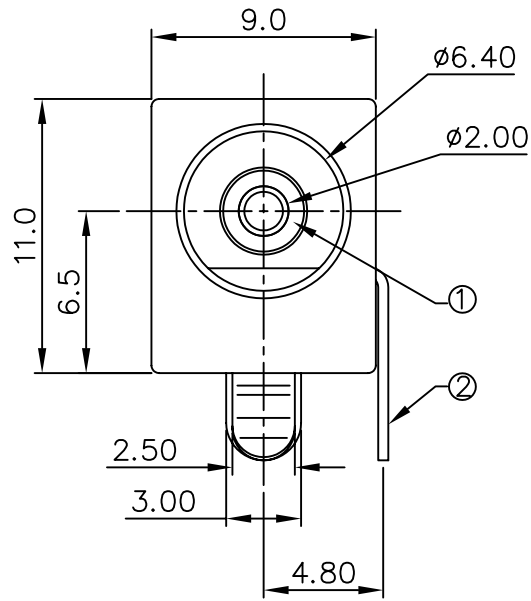
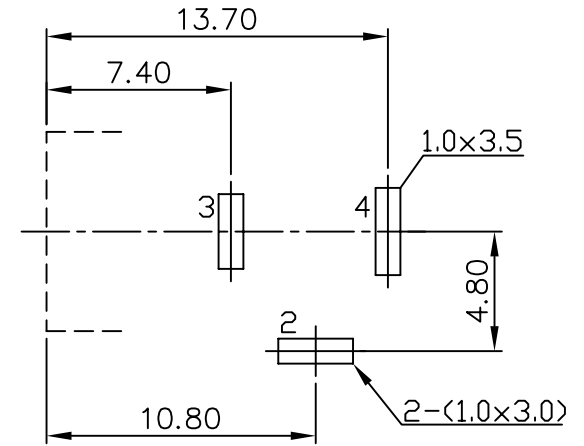


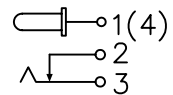
REV	ZONE	REVISION	DATE	APPD.



**SUGGESTED PCB LAYOUT  
TOP VIEW**



**SCHEMATIC**



NO.	DESCRIPTION	MATERIAL	PLATED
1	PIN	BRASS	Ni-Plated
2	CURVE PIECE	BRASS	Tin-Plated
3	SPRING	PHOSHOR BRONZE	Tin-Plated
4	FLAT PIECE	BRASS	Tin-Plated
5	HOUSING	PBT	
6	COVER	PBT	



POWERWAY ELECTRONICS CO.,LTD.  
博歲電子股份有限公司

COMPUTER NO.			UNIT	SCALE	PART NAME	
D:\DWG\SHD-2014K			mm	1:1	DC POWER JACK	
APPD.	CKD.	DWG.	DATE	TOLERANCE		REV.
	Michael	Kristin	2008-04-01	0.000mm ± 0.075mm 0.00 mm ± 0.15 mm 0.0 mm ± 0.25 mm		A.0