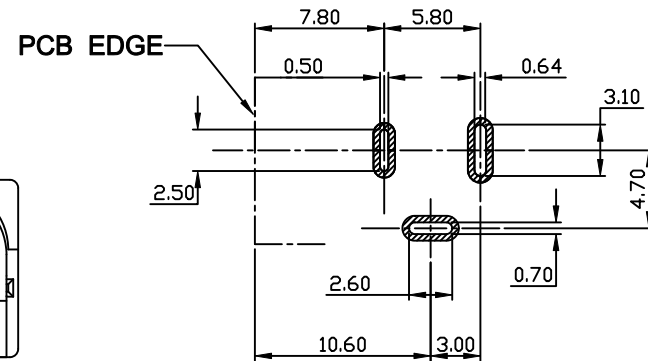
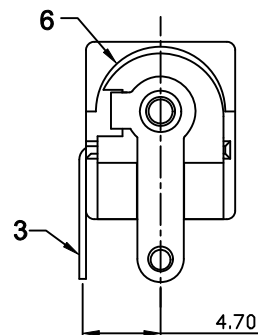
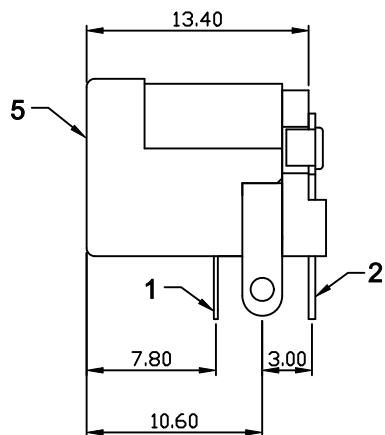
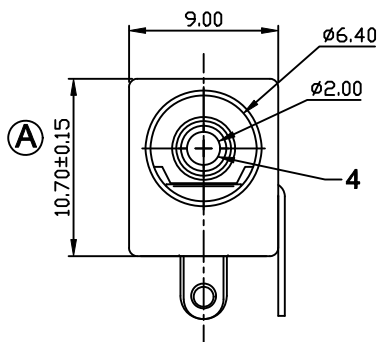
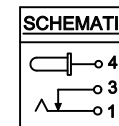
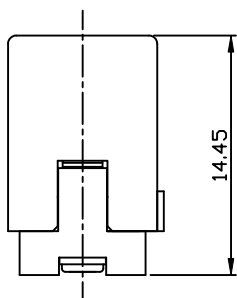


NO.	NAME	MATERIAL	PLATING
1	PIN TERM.	PHOS. BRONZE	Tin-Plated
2	PIN TERM.	BRASS	Tin-Plated
3	PIN TERM.	BRASS	Tin-Plated
4	CENTER PIN	BRASS	Ni-Plated
5	HOUSING	PBT	
6	HOUSING COVER	PBT	

REV	ZONE	REVISION	DATE	APPD.
(A)	A.1	新增公差	2010.10.01	Eden



**SUGGESTED PCB LAYOUT  
TOP VIEW**



**POWERWAY ELECTRONICS CO.,LTD.**

**博歲電子股份有限公司**

COMPUTER NO.

D:\DWG\2014

UNIT

mm

SCALE

1:1

PART NAME

DC POWER JACK

APPD.

CKD.

DWG.

DATE

TOLERANCE

REV.

MODEL

SHD-2014-T

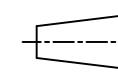
PAGE 1 OF 1

Michael

Sunny

2008-12-04

0.000mm iØ 0.075mm  
0.00 mm iØ 0.15 mm  
0.0 mm iØ 0.25 mm



A.1