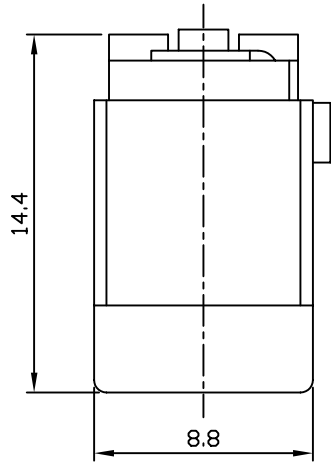
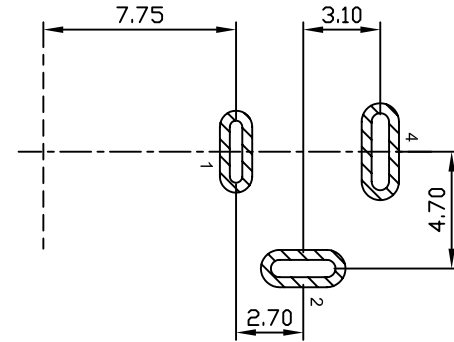
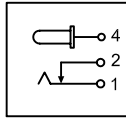


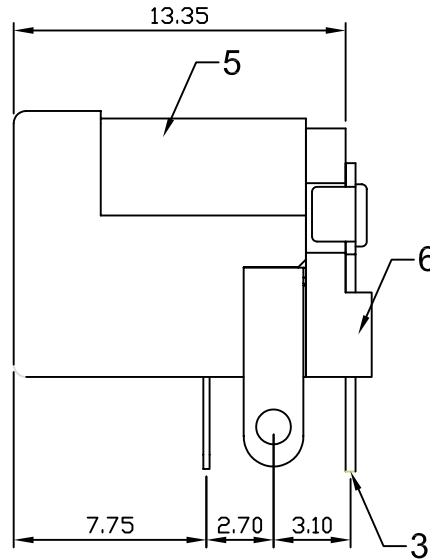
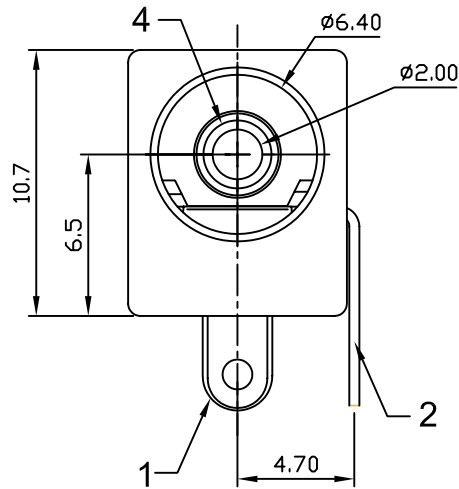
REV	ZONE	REVISION	DATE	APPD.



SCHEMATIC



**SUGGESTED PCB LAYOUT
TOP VIEW**



NO.	NAME	MATERIAL	PLATING
1	PIN TERM.	PHOS. BRONZE	Tin-Plated
2	PIN TERM.	BRASS	Tin-Plated
3	PIN TERM.	BRASS	Tin-Plated
4	CENTER PIN	BRASS	Ni-Plated
5	HOUSING	PBT	
6	HOUSING COVER	PBT	



POWERWAY ELECTRONICS CO.,LTD.

博 歲 電 子 股 份 有 限 公 司

COMPUTER NO.

UNIT

SCALE

PART NAME

D:\DWG\2014

mm

1:1

DC POWER JACK

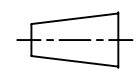
APPD.

CKD.

DWG.

DATE

TOLERANCE



REV.

MODEL

ASHD-2014-T

PAGE 1 OF 1

Michael

Maisie

2007-09-04

0.000mm ± 0.075mm
0.00 mm ± 0.15 mm
0.0 mm ± 0.25 mm

A.0