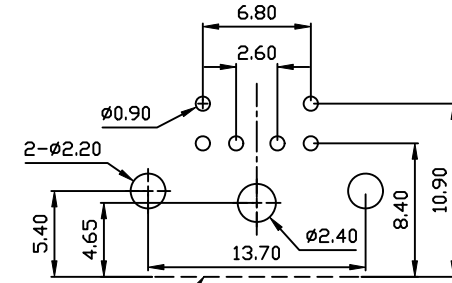
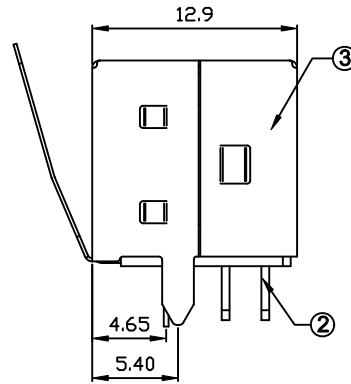
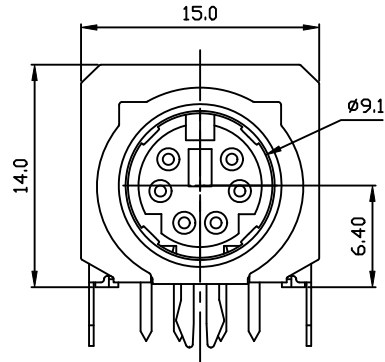
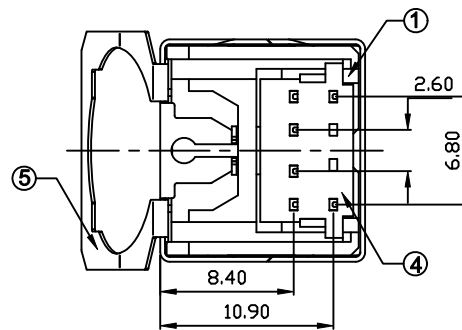


NO.	NAME	MATERIAL
1	HOUSING	PBT / Nylon
2	PIN TERM.	PHOS. BRONZE
3	SHELL	BRASS
4	HOUSING COVER	PBT
5	SPRING	SUS

REV	ZONE	REVISION	DATE	APPD.



**SUGGESTED PCB LAYOUT
TOP VIEW**



POWERWAY ELECTRONICS CO.,LTD.
博 歲 電 子 股 份 有 限 公 司

COMPUTER NO.

UNIT

SCALE

PART NAME

D : \DWG \SDN-508B

mm

1 : 1

MINI DIN JACK

APPD.

CKD.

DWG.

DATE

TOLERANCE

REV.

MODEL

SDN-508B-6S2

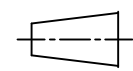
PAGE 1 OF 1

Michael

Valiant

2007-02-09

0.000mm ± 0.075mm
0.00 mm ± 0.15 mm
0.0 mm ± 0.25 mm



A.0