

NO.	NAME	MATERIAL
1	HOUSING	PBT / Nylon
2	PIN TERM.	PHOS. BRONZE
3	SHELL	BRASS
4	HOUSING COVER	PBT / Nylon

SUB-110P*-*-*

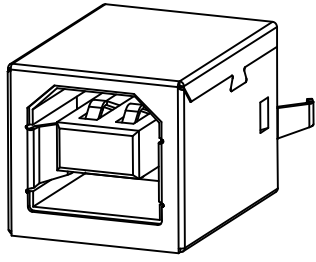
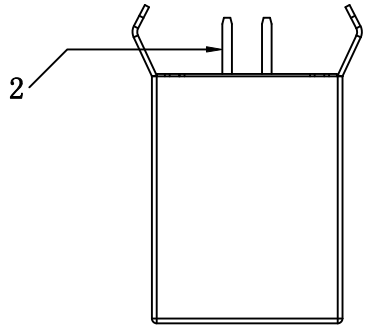
Series _____
 Type _____
 Color _____
 B : Black
 W : White

Shell
 T : Tin Plated
 F : SPCC
 Z : Nickel Plated (Shiny Surface)

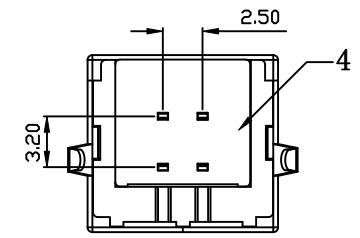
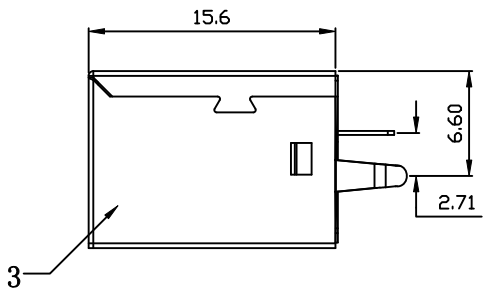
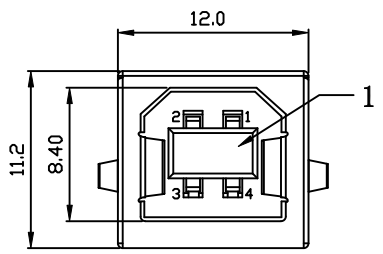
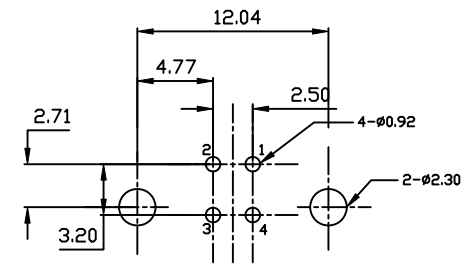
Version
 1 : 1.1
 2 : 2.0

Material
 B : PBT
 P : Nylon

REV	ZONE	REVISION	DATE	APPD.



SUGGESTED PCB LAYOUT TOP VIEW



POWERWAY ELECTRONICS CO.,LTD.
 博歲電子股份有限公司

COMPUTER NO.			UNIT	SCALE	PART NAME	
D:\DWG\SUB-110P			mm	1:1	USB. TYPE B	
APPD.	CKD.	DWG.	DATE	TOLERANCE		REV.
	Aaron	Eric	2009-08-20	0.000mm ± 0.075mm 0.00 mm ± 0.15 mm 0.0 mm ± 0.25 mm		A.0

MODEL SUB-110P*-*-* PAGE 1 OF 1

