

NO.	NAME	MATERIAL
1	HOUSING	PBT / Nylon
2	PIN TERM.	PHOS. BRONZE
3	SHELL	BRASS

SUB-110M*-*-*

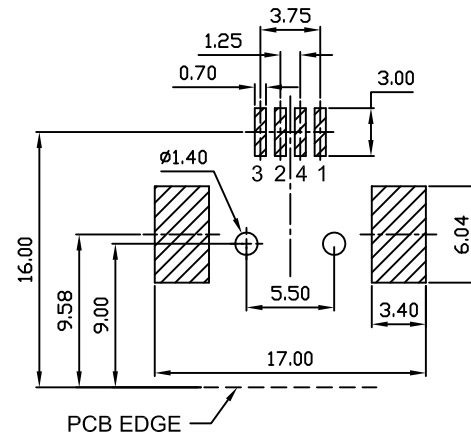
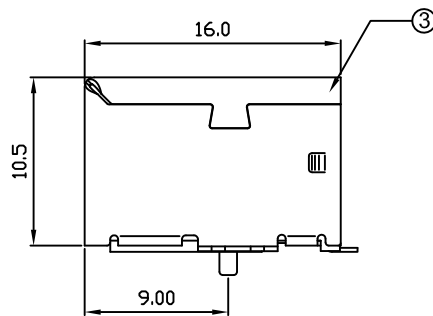
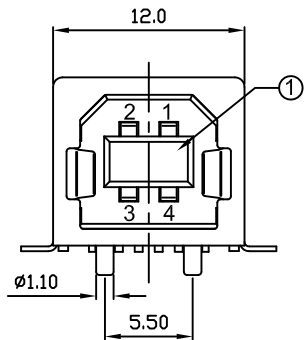
Series _____
 Type _____
 Color _____
 B : Black
 W : White

Shell
 T : Tin Plated
 F : SPCC
 N : Nickel Plated (Foggy Surface)

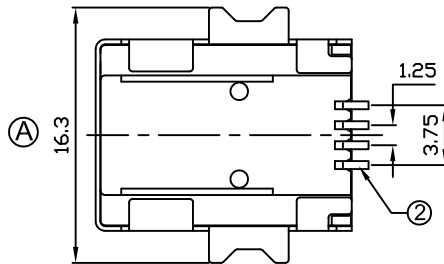
Version
 1 : 1.1
 2 : 2.0

Material
 B : PBT
 P : Nylon

REV	ZONE	REVISION	DATE	APPD.
A.1	(A)	原尺寸16.0mm修改為16.3mm	2008-06-02	Aaron
A.2	(B)	增加Foggy Surface敘述	2009-03-17	Aaron



SUGGESTED PCB LAYOUT
TOP VIEW



POWERWAY ELECTRONICS CO.,LTD.
博歲電子股份有限公司

COMPUTER NO.			UNIT	SCALE	PART NAME	
D:\DWG\SUB-110M			mm	1:1	USB. TYPE B FLAT 90° SMT	
APPD.	CKD.	DWG.	DATE	TOLERANCE		REV.
Aaron	Michael	Valiant	2007-01-29	0.000mm ± 0.075mm 0.00 mm ± 0.15 mm 0.0 mm ± 0.25 mm		A.2

MODEL SUB-110M*-*-* PAGE 1 OF 1