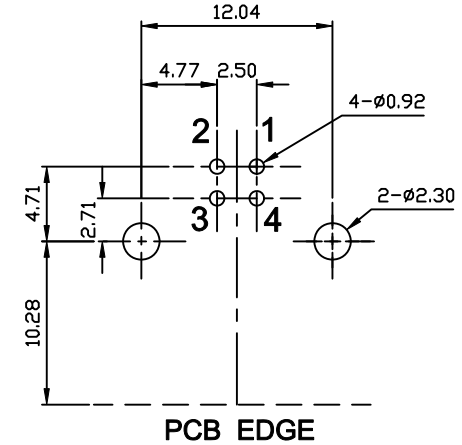
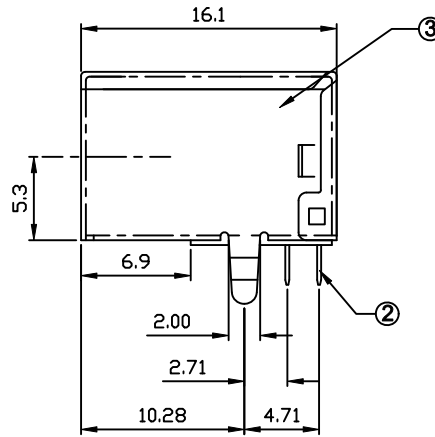
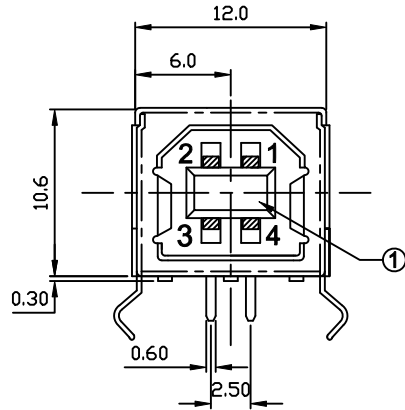
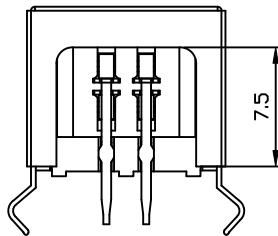


NO.	NAME	MATERIAL
1	HOUSING	PBT / Nylon
2	PIN TERM.	PHOS. BRONZE
3	SHELL	BRASS

REV	ZONE	REVISION	DATE	APPD.



**SUGGESTED PCB LAYOUT
TOP VIEW**



SUB-110HH*-*-*

Series ————
Type ————
Color ————
Shell ————
Z : Nickel Plated (Shiny Surface)
T : Tin Plated
Version ————
1 : 1.1
2 : 2.0
Material ————
B : PBT
P : Nylon



POWERWAY ELECTRONICS CO.,LTD.
博歲電子股份有限公司

COMPUTER NO.

UNIT

SCALE

PART NAME

D:\DWG\SUB-110HH

mm

1:1

USB. TYPE B
FLAT 90° DIP

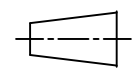
APPD.

CKD.

DWG.

DATE

TOLERANCE



REV.

MODEL

SUB-110HH*-*-*

PAGE 1 OF 1

Aaron

Eric

2009-05-21

0.000mm ± 0.075mm
0.00 mm ± 0.15 mm
0.0 mm ± 0.25 mm

A.0