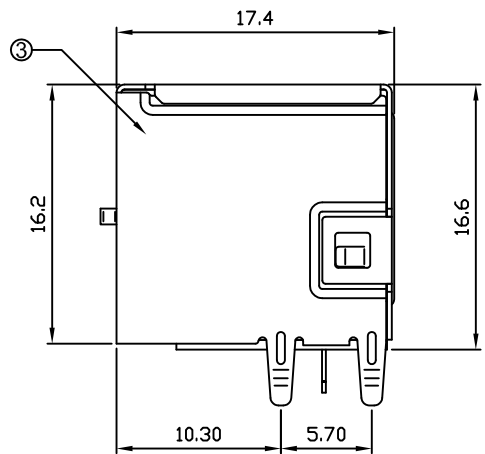
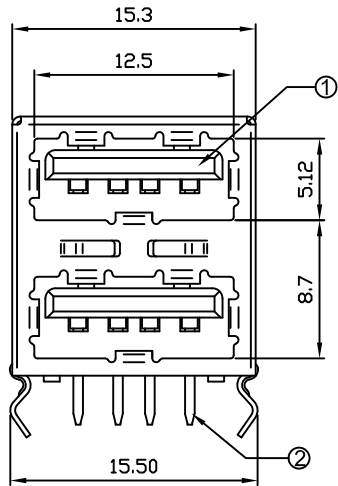
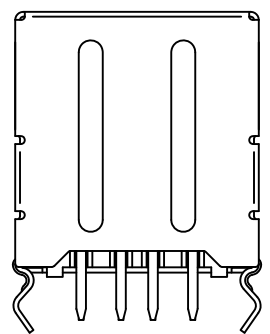
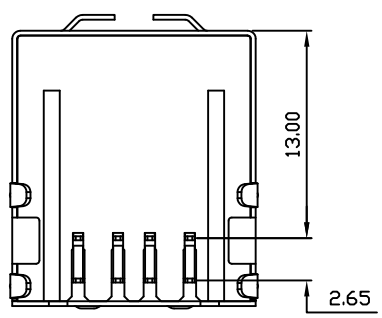
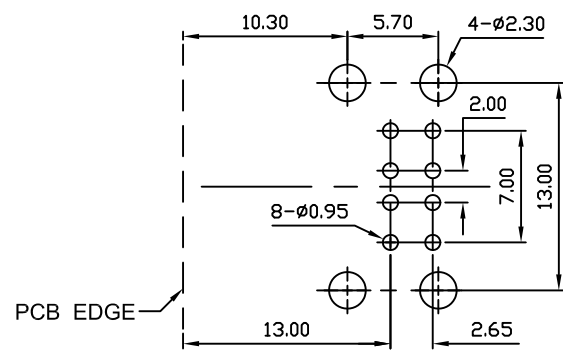


NO.	NAME	MATERIAL
1	HOUSING	PBT / Nylon
2	PIN TERM.	PHOS. BRONZE
3	SHELL	BRASS / SPCC

REV	ZONE	REVISION	DATE	APPD.
A.1	Ⓐ	增加Foggy Surface敘述	2009.3.24	Aaron



**SUGGESTED PCB LAYOUT
TOP VIEW**



SUA-210H2S * - * * *

Series _____
 Type _____
 Color _____

Shell
 T : Tin Plated
 F : SPCC
 N : Nickel Plated (Foggy Surface)

Version
 1 : 1.1
 2 : 2.0

Material
 B : PBT
 P : Nylon

Ⓐ



POWERWAY ELECTRONICS CO.,LTD.
博 歲 電 子 股 份 有 限 公 司

COMPUTER NO.			UNIT	SCALE	PART NAME	
D : \ DWG \ SUA-210H2S			mm	1 : 1	DOUBLE USB. TYPE A	
APPD.	CKD.	DWG.	DATE	TOLERANCE		REV.
	Nick	Aaron	2007-10-18	0.000mm ± 0.075mm 0.00 mm ± 0.20 mm 0.0 mm ± 0.30 mm		
MODEL		SUA-210H2S * - * * *	PAGE 1 OF 1			A.1