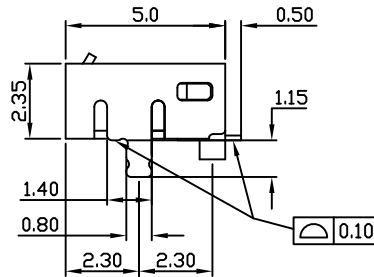
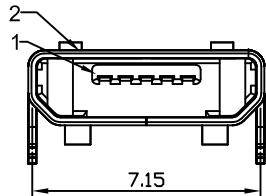


NO.	NAME	MATERIAL	FINISH
1	HOUSING	Nylon / LCP	
2	TERMINAL	Copper Alloy	Gold-Plated
3	SHELL	Alloy	Ni-Plated

REV	ZONE	REVISION	DATE	APPD.

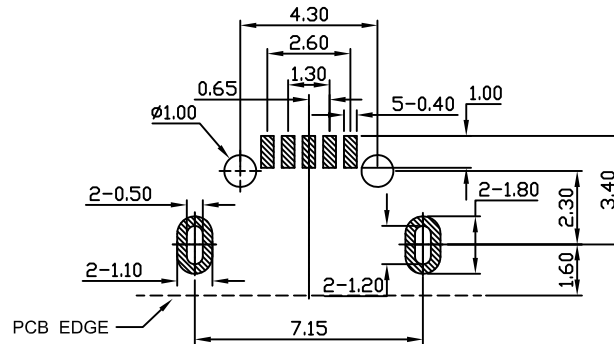
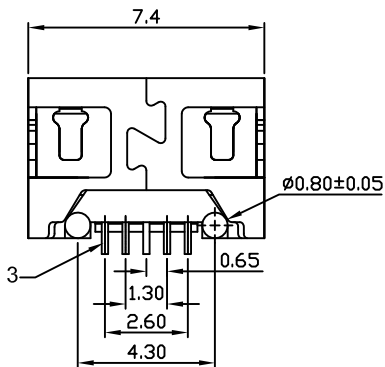


SUA-160M2 * - * * E

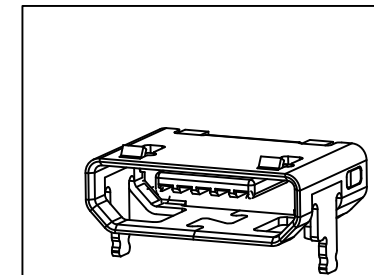
Series ————
 Type ————
 B: Black ————
 Material ————
 P : Nylon
 L : LCP

Shell
 E : Nickel Plated


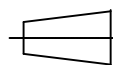
Version
 1 : 1.1
 2 : 2.0



RECOMMENDED PCB LAYOUT
 TOP VIEW
 TOLERANCE: ±0.02mm
 PCB THICKNESS: 0.80±0.05mm



POWERWAY ELECTRONICS CO.,LTD.
 博 歲 電 子 股 份 有 限 公 司

COMPUTER NO.			UNIT	SCALE	PART NAME	
D : \DWG \SUA-160M2			mm	2: 1	MICRO USB 5 PIN SMT	
APPD.	CKD.	DWG.	DATE	TOLERANCE		REV.
	Chindge	Sky	2010-12-20	0.000mm ± 0.15mm 0.00 mm ± 0.25 mm 0.0 mm ± 0.35 mm	 	A.0

MODEL SUA-160M2 * - * * E PAGE 1 OF 1