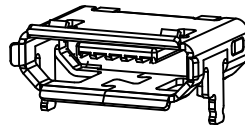
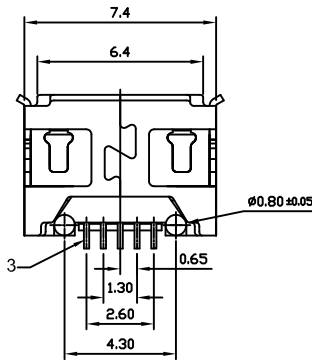
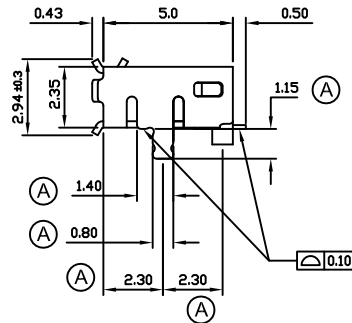
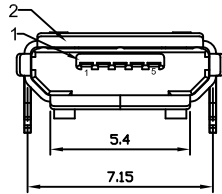


NO.	NAME	MATERIAL	PLATING
1	HOUSING	Nylon or LCP	
2	SHELL	Alloy	Nickel-Plated
3	PIN TERM.	Copper Alloy	Tin-Plated

REV	ZONE	REVISION	DATE	APPD.
A.1	(A)	設變外殼腳	2010.12.13	Sky

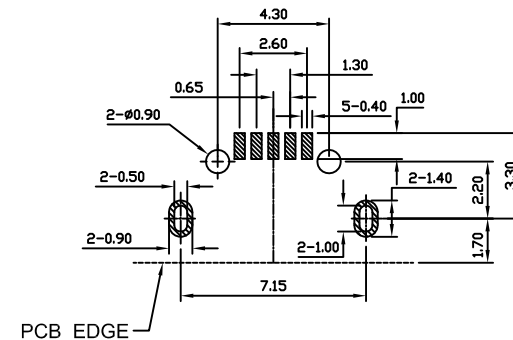


SUA-160M1B-**E

Series ———
 Type ———
 Color ———
 B : Black

Shell
 E : Nickel Plated
 Version
 1 : 1.1
 2 : 2.0

Material
 P : Nylon
 L : LCP



RECOMMENDED PCB LAYOUT
 TOP VIEW
 TOLERANCE: ±0.02mm
 PCB THICKNESS: 0.80±0.05mm



POWERWAY ELECTRONICS CO.,LTD.
 博 歲 電 子 股 份 有 限 公 司

COMPUTER NO.

UNIT

SCALE

PART NAME

D : \ DWG \ SUA-160M

mm

1 : 1

MICRO USB 5 PIN SMT

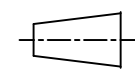
APPD.

CKD.

DWG.

DATE

TOLERANCE



REV.

MODEL

SUA-160M1B-**E

PAGE 1 OF 1

Chindge

李松林

2010-10-21

0.000mm ± 0.075mm
 0.00 mm ± 0.20 mm
 0.0 mm ± 0.30 mm

A.1