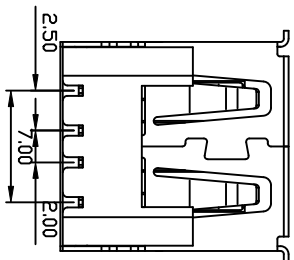
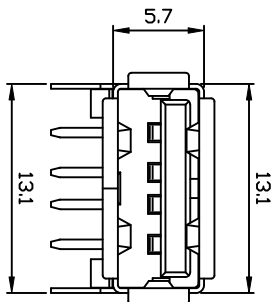


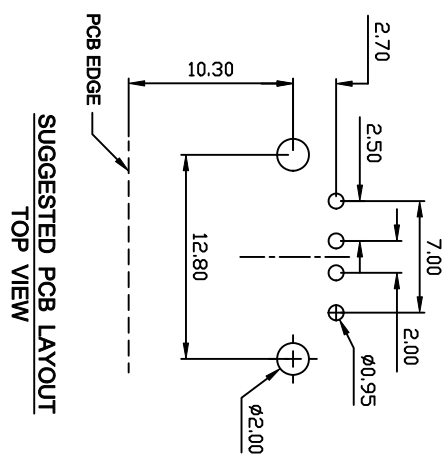
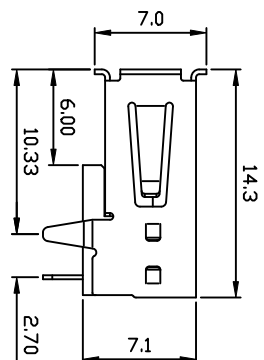
NO.	NAME	MATERIAL
1	HOUSING	PBT / NYlon
2	PIN TERM.	PHOS. BRONZE
3	SHELL	BRASS

# SUA-110H1D\*\*\*

Series \_\_\_\_\_  
 Type \_\_\_\_\_  
 Color \_\_\_\_\_  
 B : Black  
 W : White



Shell \_\_\_\_\_  
 Z : Nickel Plated (Shiny Surface)  
 Version \_\_\_\_\_  
 1 : 1.1  
 2 : 2.0  
 Material \_\_\_\_\_  
 B : PBT  
 P : Nylon



REV	ZONE	REVISION	DATE	APPD.



**POWERWAY ELECTRONICS CO.,LTD.**  
**博 威 電 子 股 份 有 限 公 司**

MODEL SUA-110H1D\*\*\* PAGE 1 OF 1

COMPUTER NO.	UNIT	SCALE	PART NAME
--------------	------	-------	-----------

D : \DWG\ SUA-110H1D mm 1 : 1 USB, TYPE A FLAT 90° DIP

APPD.	CKD.	DWG.	DATE	TOLERANCE
-------	------	------	------	-----------

Aaron Kristin 2008-04-17 0.000mm ± 0.075mm  
 0.00 mm ± 0.15 mm  
 0.0 mm ± 0.25 mm



REV. A.0