

Electrical Characteristics :
 Insulation Resistance : 500MΩ Min.
 Contact Resistance : 30mΩ Max.
 Withstand Voltage : 1000 VAC 1 minute.
 Current Rating : 1.5A

Material:

Housing : Thermoplastic UL94V-0

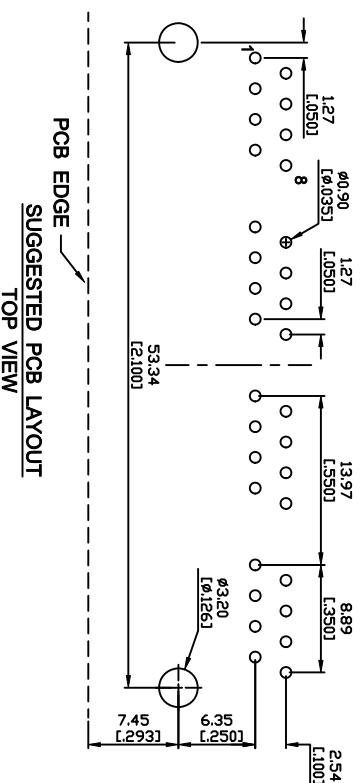
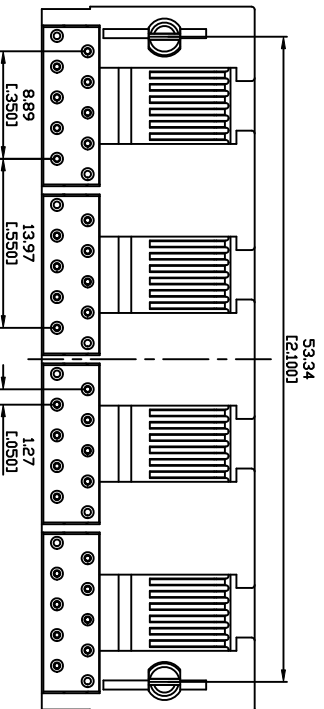
Contact : Full Gold Plating

Spring Wire : Dia 0.45mm Phosphor Bronze

Optional Gold Plating Over Nickel

CUL File No : E215573

PART NO : 8 5 0 8 - B * 4



ZONE	REV.	DESCRIPTION	DATE	APPD.	FILE NO : 85 (SERIES)
Ⓐ	A.1	Withstand Voltage 500修改為1000VAC	2008-08-01	Nick	TOLERANCE(公差) :
Ⓑ					0.000 mm ± 0.075 mm
Ⓒ					0.00 mm ± 0.15 mm
Ⓓ					0.0 mm ± 0.25 mm
Ⓔ					

PW 博 崑 電 子 股 份 有 限 公 司
 POWERWAY ELECTRONICS CO.,LTD.

TITLE	NON-SHIELDED RJ45 SIDE ENTRY PCB JACK	UNIT	mm
圖名	8508-B*4	單位	inch
PART NO.	8508-B*4	SCALE	1:1
料號		比例	
REV.	A.1	DATE	2007-06-13
版本			
CHECKED BY	Michael	DRAWN BY	Valiant
審核		製圖	